



# MX1100TX

Hi-Power Electronic Keypad Blender with Timer and 64 oz., BPA-Free Copolyester Container



\*Made in USA with US and foreign parts.

## ELECTRICAL

Voltage: 120

Frequency: 60Hz

Watts: 1560

Amps: 12.5

Plug Type: A

Cord Length: 6 feet



## MAIN FEATURES

- Heavy-duty, 3.5 peak HP, high-performance motor with 2 speed selections is the strongest in its class. It powers through the toughest ice and frozen fruit mixtures in seconds.
- Super-high, 45,000 RPM motor speed is ferocious enough for everything from smoothies and frozen drinks to thick spreads, desserts, dressings and all types of food preparation.
- The Raptor® 64 oz., stackable, unbreakable, dishwasher-safe, BPA-free copolyester container.
- High-grade, high-impact, stainless steel blade is user replaceable for easy servicing.
- Easily removable container cover with removable clear cap for adding ingredients and pressure reduction during hot food blending.
- User-replaceable, metal-on-metal, stainless steel coupling system between base and container for durability and reliability.
- Optional sound enclosure easily retrofits to base for noise reduction.
- Recommended for 75+ drinks per day.
- Limited Three-Year Motor Warranty and Two-Year Parts & Labor Warranty.

## SALES FEATURES

Get smooth, consistent results every time with the Waring® MX1100TX. This heavy-duty, 3.5 HP blender teams up with The Raptor® jar and blade assembly for maximum power and efficiency. Features an easy-to-clean, electronic membrane keypad with HIGH, LOW, OFF and PULSE functions, and a 30-second electronic countdown timer. Perfect for a busy bar, health facility, school or coffee shop.

Hi-Power Electronic Keypad Blender with Timer and 64 oz., BPA-Free Copolyester Container **MX1100TX**



@waringcommercial

©2019 Waring Commercial  
314 Ella T. Grasso Avenue, Torrington, CT 06790  
Tel. 800-492-7464 • Fax 860-496-9008

[waringcommercialproducts.com](http://waringcommercialproducts.com)

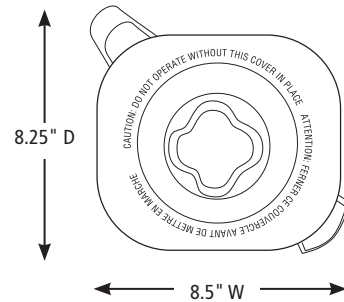
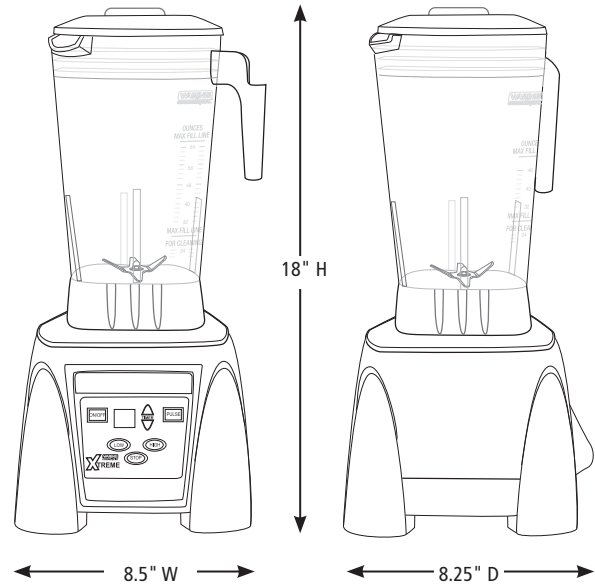


# Hi-Power Electronic Keypad Blender with Timer and 64 oz., BPA-Free Copolyester Container MX1100TX

## PARTS & ACCESSORIES

- |   |  |   |  |
|---|--|---|--|
|    | <b>CAC90</b><br>64 oz. Stainless Steel Container   |    | <b>CAC95-12</b><br>64 oz. Green Copolyester Container                      |
|    | <b>CAC93X</b><br>48 oz. Copolyester Container  |    | <b>CAC95-28</b><br>64 oz. Orange Copolyester Container                     |
|    | <b>CAC93X-03</b><br>48 oz. Yellow Copolyester Container  |    | <b>CAC116</b><br>Blending Assembly Kit and Retainer Ring Kit               |
|    | <b>CAC93X-06</b><br>48 oz. Blue Copolyester Container  |    | <b>CAC119</b><br>Retainer Ring Wrench                                      |
|    | <b>CAC93X-10</b><br>48 oz. Purple Copolyester Container  |    | <b>CAC158</b><br>Blending Assembly Kit                                     |
|    | <b>CAC93X-12</b><br>48 oz. Green Copolyester Container   |    | <b>CAC159</b><br>Retainer Ring Kit   |
|   | <b>CAC93X-28</b><br>48 oz. Orange Copolyester Container  |    | <b>CAC160</b><br>Drive Coupling  |
|  | <b>CAC95</b><br>The Raptor® – Aggressive, All-Purpose, Stackable, 64 oz., BPA-Free Copolyester Container |  | <b>CAC161</b><br>Drive Coupling Removal Tool                               |
|  | <b>CAC95-03</b><br>64 oz. Yellow Copolyester Container   |  | <b>CAC169</b><br>Spatula – Custom designed for use with MX Series Blenders |
|  | <b>CAC95-06</b><br>64 oz. Blue Copolyester Container   |  | <b>SE1000</b><br>Large Sound Enclosure                                     |
|  | <b>CAC95-10</b><br>64 oz. Purple Copolyester Container   |  | <b>SE500</b><br>Small Sound Enclosure                                      |

## DIMENSIONS



Out of Box Weight: 14.60 lb.

ORDERING INFORMATION	#STD. PKG.	GIFTBOX WEIGHT	CUBIC FEET	BOX DIMENSIONS D X W X H	UPC	CASE PKG.	MC WEIGHT	MC DIMENSIONS D X W X H	MBC
MX1100TX– Hi-Power Electronic Keypad Blender with Timer and 64 oz., BPA-Free Copolyester Container	1	16.75	1.033	11.375" x 10.125" x 15.5"	040072017001	1	17.7	11.75" x 10.75" x 16.125"	10040072017008



@waringcommercial

©2019 Waring Commercial  
314 Ella T. Grasso Avenue, Torrington, CT 06790  
Tel. 800-492-7464 • Fax 860-496-9008

waringcommercialproducts.com

19WC063863 / REV 09/19